

SVANEHØJ Deepwell Cargo Pumps

Model DW

Description

Line-shaft driven deepwell pumps with discharge through the column.

Capacity: 50 -1100 m³/h

Benefits

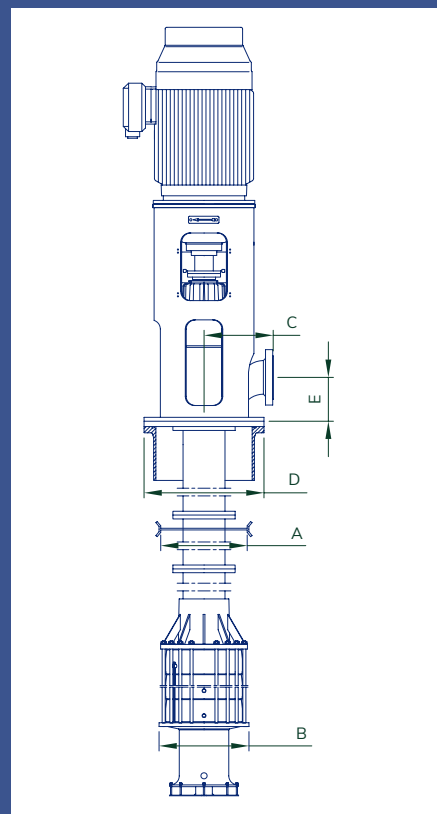
Unrivalled list of references, well-proven technology, highest level of safety with back to back mechanical shaft seals, custom built for liquefied gas down to a temperature of -164°C.

Typical applications

Cargo offloading.

Standard materials

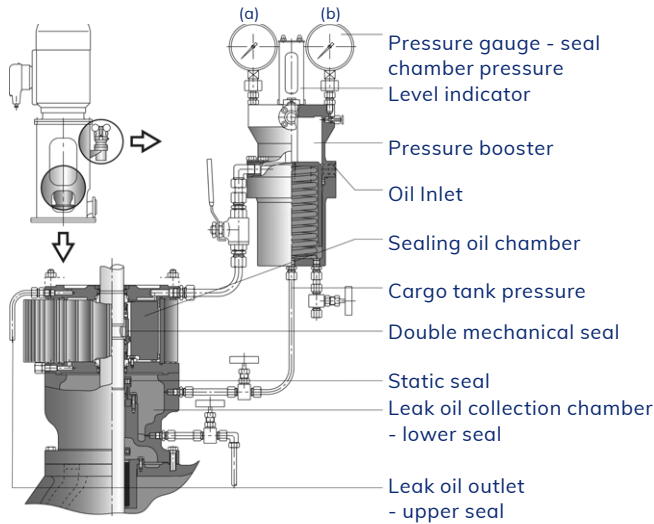
All wetted parts in AISI 304.



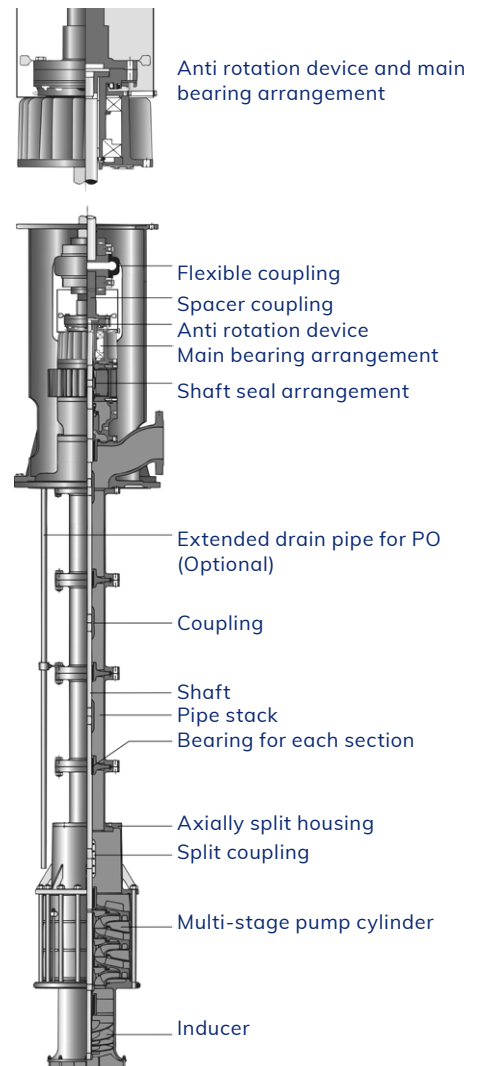
Technical specifications

Pump Model Size	Discharge Flange (DN)	Dimensions (mm)					Dome flange	Weight of 6 m pump ex. Motor (kg)	Weight Pipe stack/m (kg)
		Diameter of exterior support	Diameter of pump head/cylinder	Distance from dome to centre of discharge flange	Diameter of dome	Height from dome to centre of discharge flange			
		A	B	C	D	E			
DW 80-K+I	100	480	435	355	680	180	PN2.5	912	36
						204			
DW 100-K+I	100	480	435	355	680	180	PN2.5	946	36
						204			
DW 125-K+I	100	480	480	355	680	180	PN2.5	1008	42
						204			
	150	480	480	355	680	211	PN2.5	1085	50
						235			
DW 132-K+I	100	480	480	355	680	180	PN2.5	1057	42
						204			
	150	480	480	355	680	211	PN2.5	1134	50
						235			
DW 150-K+I	100	480	480	355	680	180	PN2.5	1063	42
						204			
	150	480	480	355	680	211	PN2.5	1140	50
						235			
DW 200-K+I	200	565	565	450	780	275	PN2.5	1379	66
						275			
	250	565	565	450	780	275	PN2.5	1521	66
						315			
DW 250-K+I	200	620	620	450	780	275	PN2.5	1519	66
						275			
	250	620	620	450	780	275	PN2.5	1653	66
						315			

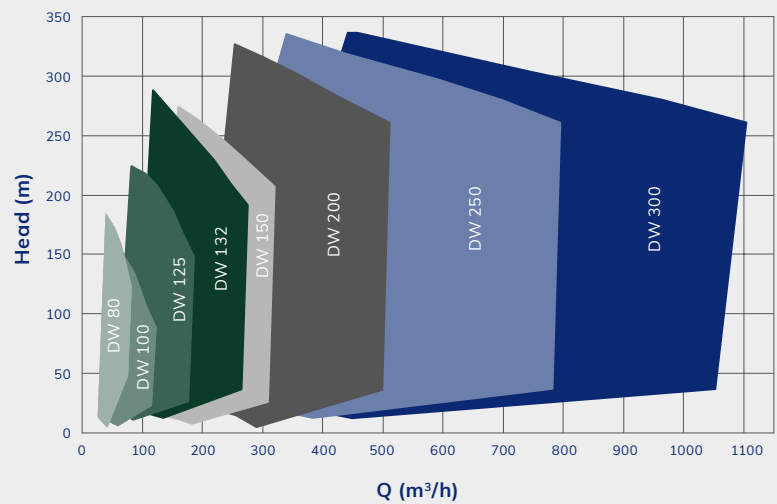
Shaft sealing arrangement



Sectional drawing



Capacity range



Note: Other capacities are available with variable frequency drive.

Learn more at svanehoj.com, contact us at svanehoj@svanehoj.com or give us a call on +45 9637 2200