

SVANEHØJ Deepwell Cargo Pumps

Model CKL

Description

Line-shaft driven Deep Well pumps with dedicated discharge pipe.

Capacity: 500 -1800 m³/h

Benefits

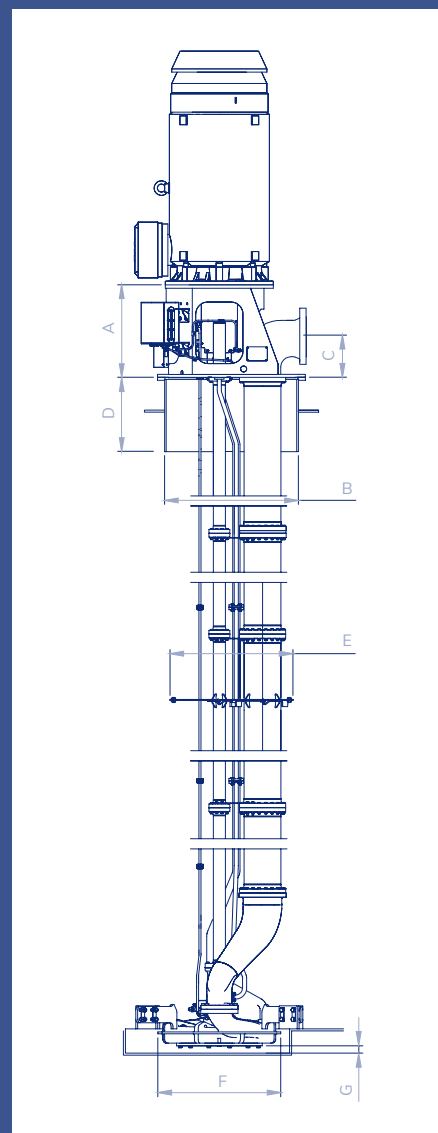
Powered by quiet, efficient electrical drives the CKL pumps has economical and efficient lifetime operation cost as well as easy installation and commissioning.

Typical Applications

Cargo offloading, slop, residual.

Standard Materials

All wetted parts in Stainless Steel AISI 316 and Duplex.

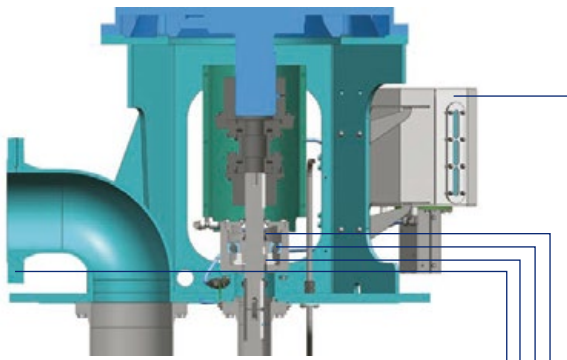


Technical specifications

Pump Model	Capacity Range (m ³ /hr)	Head (mlc)	Weight of 12m pump ex. Motor (kg)	Weight Pipe Stack/m (kg)
CKL 200	450 – 750	140	1329	50.7
CKL 250	600 – 1100	140	1636	63.5
CKL 300	800 – 1800	140	2004	68.9

Pump Model	Discharge Flange (DN)	Dimensions (mm)						Distance pump suction flange - sump
		Head of base arrangement	Diameter of Dome	Distance from dome to centre of discharge flange	Height of dome	Diameter of external support	Diameter of pump head/ cylinder	
		A	B	C	D	E	F	G
CKL 200	200	695	1095	230	550	910	760	min 40
CKL 250	250	762	1095	230	550	910	910	min 40
CKL 300	250	762	1095	230	550	910	910	min 40

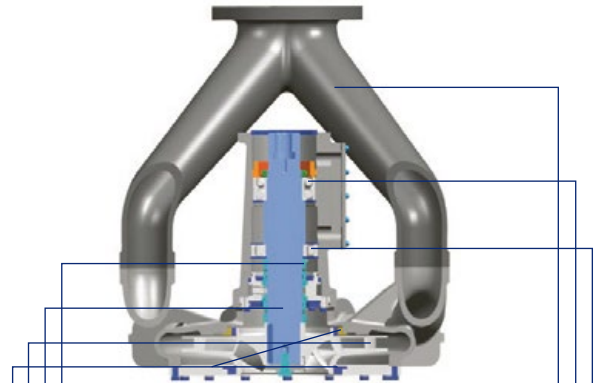
Base arrangement



Key Features built into the CKL Base Arrangement and Pump Head

1. Oil tank
 2. Mechanical Shaft seal
 3. Oil lubricated angular contact ball bearing carrying the weight of the transmission shaft
 4. Impeller for lube oil circulation
 5. Cast discharge pipe
- Discharge angle according to ANSI, DIN, JIS, ISO as well as according to customer specifications

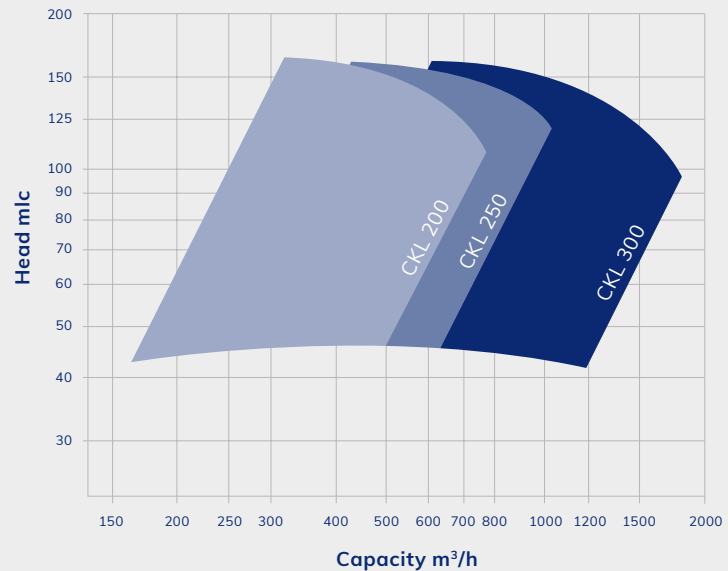
Pump housing



Key Features built into the CKL Base Arrangement and Pump Head

1. Cast branch pipe
2. Oil lubricated thrust bearing
3. Oil lubricated roller bearing absorbing radial forces
4. Double mechanical shaft seal
5. Shaft stiffness dimensioned to limit the total deflection under the most severe dynamic conditions
6. Closed, single-piece casted, balanced impeller
7. Wear rings with running clearance according to API610

Capacity range



Note: Other capacities are available with variable frequency drive.

Learn more at svanehoj.com, contact us at svanehoj@svanehoj.com or give us a call on +45 9637 2200