

SVANEHØJ Deepwell Ballast Pumps

Model C2G-SUB

Description

Wet or dry installed ballast pump with transmission shaft and dry installed electric motor. The pump is vertical in-line overhung with single suction impeller and radially split casing.

Capacity: 60 - 2500 m³/h

Benefits

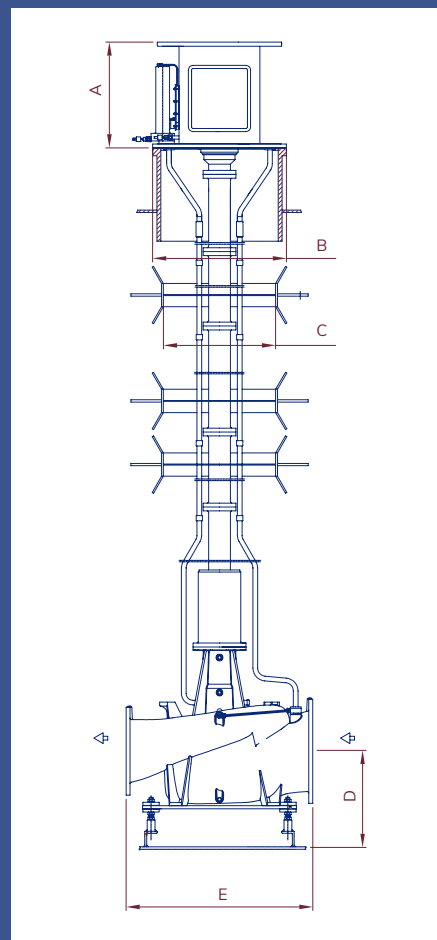
Eliminate the need for a pump room.

Typical Applications

Ballast systems on tankers, FPSO, FLNG and floating docks.

Standard Materials

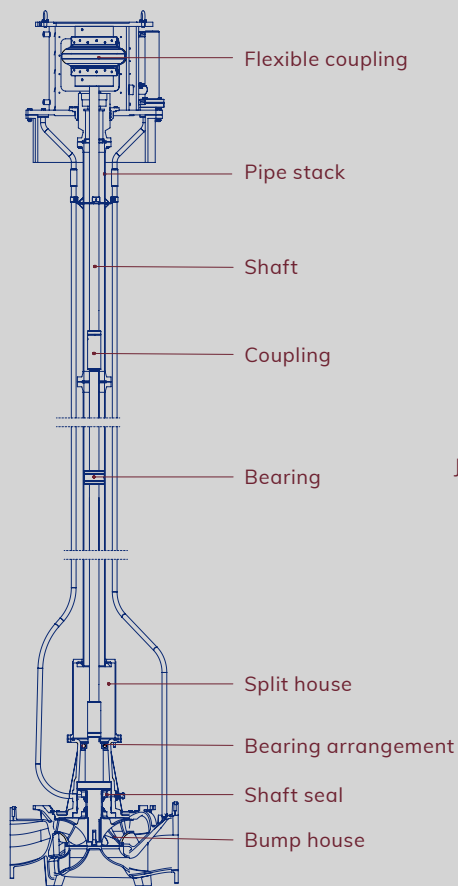
Wetted parts of pump casing: Ni-Alu-Bronze. Column pipe AISI 316L, Duplex and Super Duplex.



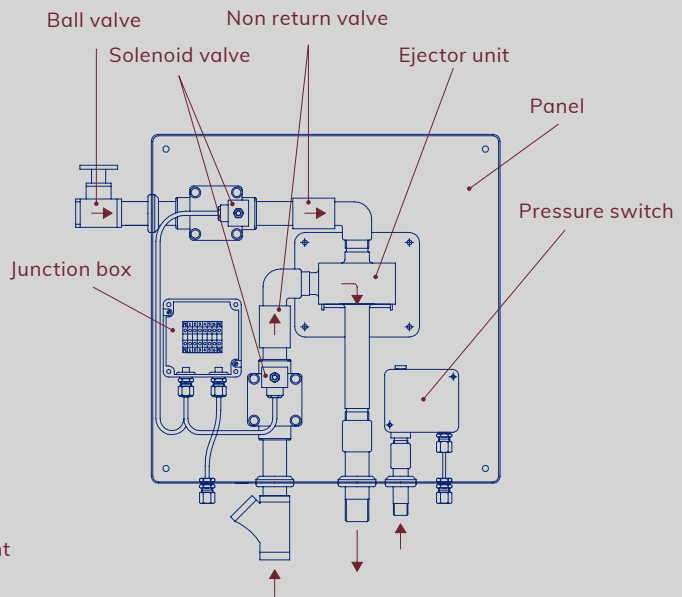
Technical specifications

Pump Model	Capacity Range (m ³ /hr)	Head (mlc)	Weight of 6m pump ex. Motor (kg)	Weight Pipe Stack/m (kg)
C2G 150L-SUB	235 – 370	25 – 35	577	29
C2G 200L-SUB	350 – 570	22 – 34	596	30
C2G 250L-SUB	555 – 890	20 – 32	669	30
C2G 300L-SUB	890 – 1570	40 – 72	1306	52
C2G 400L-SUB	1560 – 2490	35 – 52	1427	51
C2G 400M-SUB	1330 – 2120	40 – 62	1760	58

Pump Model	Discharge Flange (DN)	Suction (DN)	Dimensions (mm)				
			Head of base arrangement	Diameter of Dome Flange	Diameter of ext. Support	Height from bottom to center of discharge flange	Distance from discharge flange to suction flange
			A	B	C	D	E
C2G 150L-SUB	150	200	460	590	435	175	560
C2G 200L-SUB	200	250	460	590	435	205	630
C2G 250L-SUB	250	300	460	590	435	240	710
C2G 300L-SUB	300	350	585	860	720	270	1060
C2G 400L-SUB	400	500	680	860	720	350	1200
C2G 400M-SUB	400	500	680	860	720	350	1200

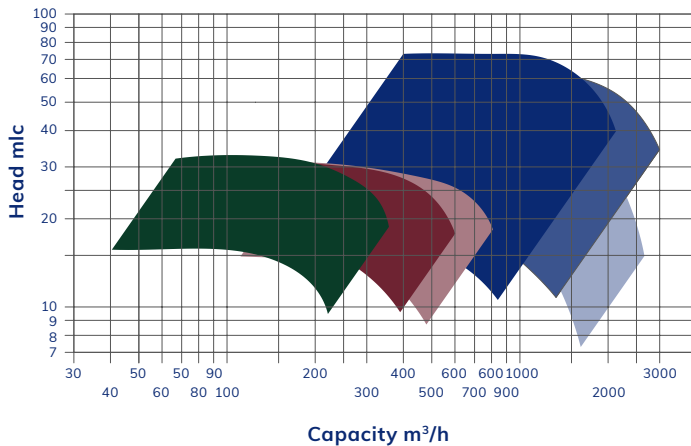


EEX Self-priming Ejector Unit



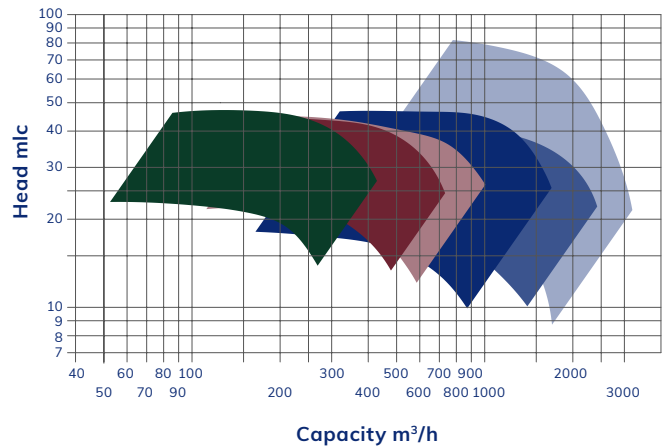
Capacity Range

50 Hz



- C2G 150L-SUB 1500 rpm
- C2G 200L-SUB 1500 rpm
- C2G 250L-SUB 1500 rpm
- C2G 300L-SUB 1500 rpm
- C2G 400L-SUB 1500 rpm
- C2G 400M-SUB 1000 rpm

60 Hz



- C2G 150L-SUB 1800 rpm
- C2G 200L-SUB 1800 rpm
- C2G 250L-SUB 1800 rpm
- C2G 300L-SUB 1200 rpm
- C2G 400L-SUB 1200 rpm
- C2G 400M-SUB 1200 rpm

Note: Other capacities are available with variable frequency drive.

Learn more at svanehoj.com, contact us at svanehoj@svanehoj.com or give us a call on +45 9637 2200

