

Offshore Process and Cargo Pumps

Model OPC (API 610)

Description

Vertically suspended, single casing volute line-shaft driven pumps with dedicated discharge pipe. VS4 design according to API 610 11th edition.

Capacity: 20 - 1800 m³/h

Benefits

Compliant with API 610, designed for a MTBR of 25000 h, closed shaft lubrication system, low noise and vibration levels,

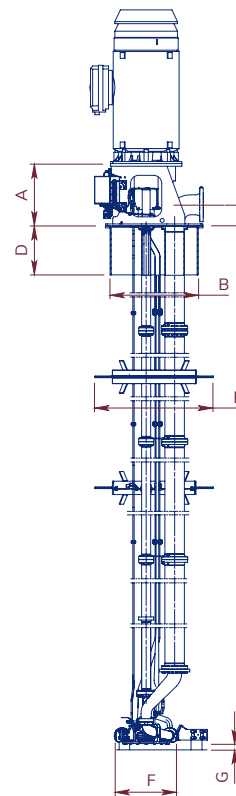
ATEX certified, monitoring package available, unique testing facilities.

Typical Applications

Crude oil offloading, slop, skimming, produced water or chemicals.

Standard Materials

Stainless Steel AISI 316, Duplex and Super Duplex.

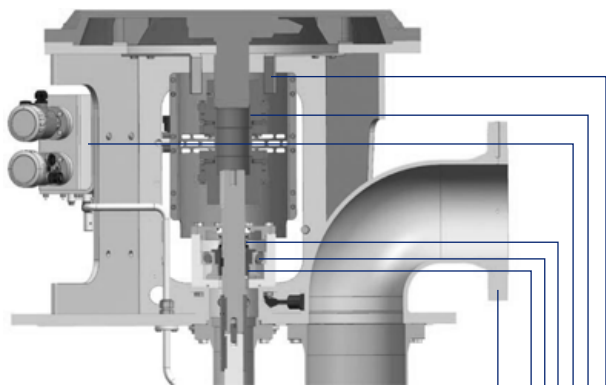


Technical specifications

Pump Model	Capacity Range (m ³ /hr)	Head (mlc)	Weight of 12m pump ex. Motor (kg)	Weight Pipe Stack/m (kg)
OPC 65	20 – 65	160	717	30.8
OPC 80	50 – 100	160	733	30.8
OPC 100	80 – 200	160	861	36.4
OPC 125	170 – 300	160	926	40.0
OPC 132	280 – 400	160	945	40.0
OPC 150	350 – 500	160	1229	54.0
OPC 200	450 – 750	180	1594	70.3
OPC 250	600 – 1100	180	1952	89.5
OPC 300	800 – 1800	180	2713	111.1

Pump Model	Discharge Flange (DN)	Dimensions (mm)						
		Head of base arrangement	Diameter of Dome	Distance from dome to centre of discharge flange	Height of dome	Diameter of external support	Diameter of pump head/cylinder	Distance pump suction flange - sump
		A	B	C	D	E	F	G
OPC 65	100	540	750	215	300	615	440	Min. 40
OPC 80	100	540	750	215	300	615	440	Min. 40
OPC 100	100	586	750	215	515	650	545	Min. 40
OPC 125	150	586	780	215	515	677	590	Min. 40
OPC 132	150	601	800	225	515	700	620	Min. 40
OPC 150	200	599	945	260	550	830	700	Min. 40
OPC 200	200	695	1095	230	550	910	760	Min. 40
OPC 250	250	762	1095	230	550	910	910	Min. 40
OPC 300	300	762	1095	230	550	910	910	Min. 40

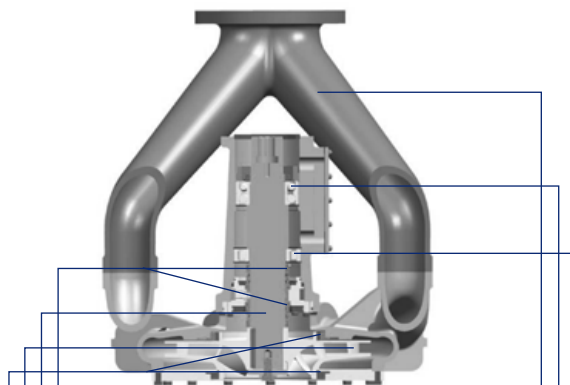
Base arrangement



Key Features built into the OPC Base Arrangement and Pump Head

1. Stiffening of the shielding (load of 90 kg) (API 610)
2. Balanced full metal membrane coupling (API 610/671)
3. Tank and pipe connection for monitoring of the mechanical shaft seal condition
4. Mechanical Shaft seal
5. Oil lubricated angular contact ball bearing carrying the weight of the transmission shaft
6. Impeller for lube oil circulation
7. Cast discharge pipe dimensioned according to loads specified in API610 Discharge flange according to ANSI, DIN, JIS, ISO as well as according to customer specifications

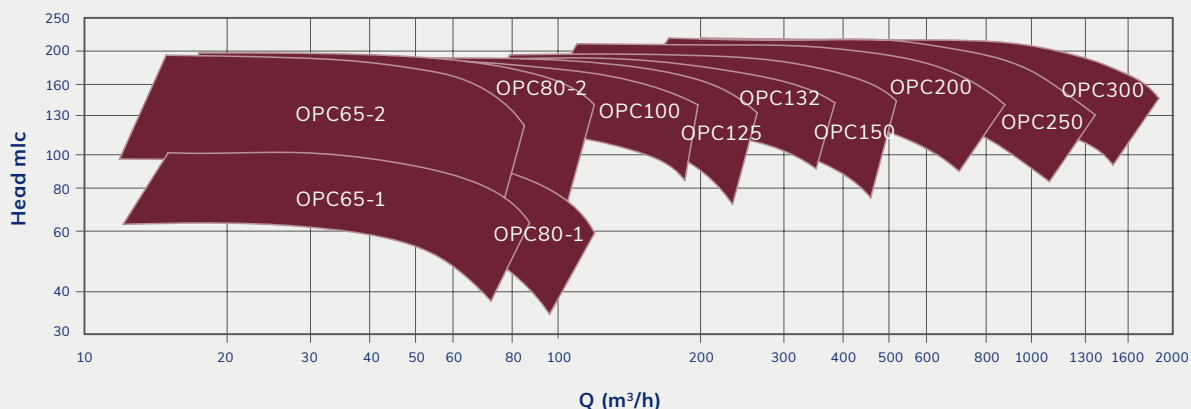
Pump housing



Key Features built into the OPC Base Arrangement and Pump Head

1. Cast branch pipe
2. Oil lubricated thrust bearing
3. Oil lubricated roller bearing absorbing radial forces
4. Double mechanical shaft seal with liquid filler cofferdam (optional cartridge seal)
5. Shaft stiffness dimensioned to limit the total deflection under the most severe dynamic conditions
6. Closed, single-piece casted, balanced impeller
7. Wear rings with running clearance according to API610

Capacity range



Note: Other capacities are available with variable frequency drive.

Learn more at svanehoj.com, contact us at svanehoj@svanehoj.com or give us a call on +45 9637 2200