

EMERGENCY SHUT OFF VALVES

MODEL 06139FS DESIGNED FOR LPG STORAGE SAFETY

Description

Hydraulically operated Fail-Safe Valve
Valve size: from 2" to 6".

This valve will close automatically in case of Emergency situations:
Fire, Power Failure, Earthquake, emergency shutdown.

Benefits

Designed to maintain your LPG storage safe.

- Low maintenance required
- High durability
- Easy to handle
- Quick shut-off
- Full Gas tight sealing after shut-off

Hydraulic Control

Manually or automatically controlled through Svanehøj hydraulic control systems: 5999 or 6999 panels.

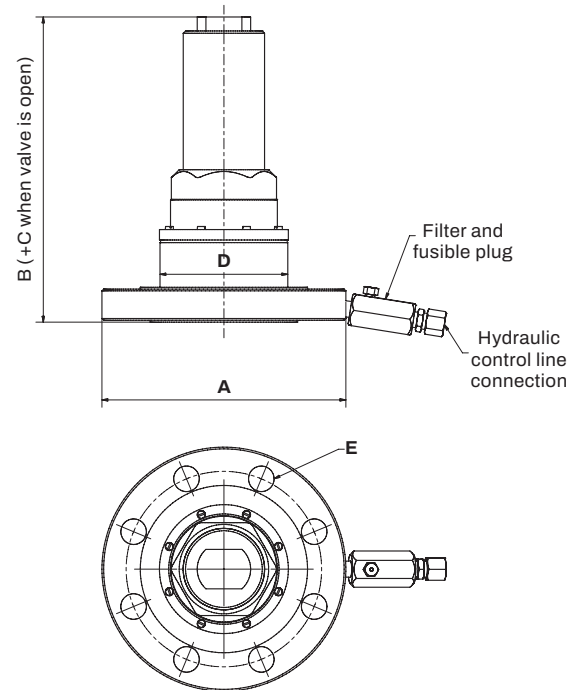
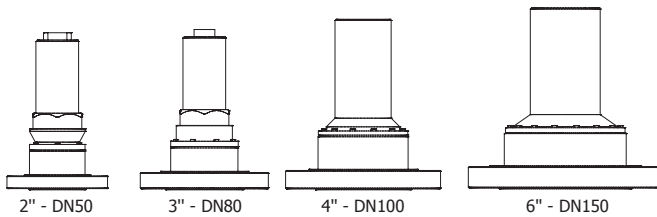
Standard Materials

Low temperature carbon steel
ASTM A350 LF2
Gaskets: Nitrille, Klingner C-4430.



Typical application

Designed for LPG Tank Storage Safety.
Can be installed on any type of external storage.



Certifications

Fire safe

API 607 & ISO 10497

CE:

- PED 2014/68/EU

Designed according to:

- ASME VIII Div 2
- Flange: RF#300 LBS

Pressure Service: up to 30 bar

Temperature service

range: -20 C°/85 C°

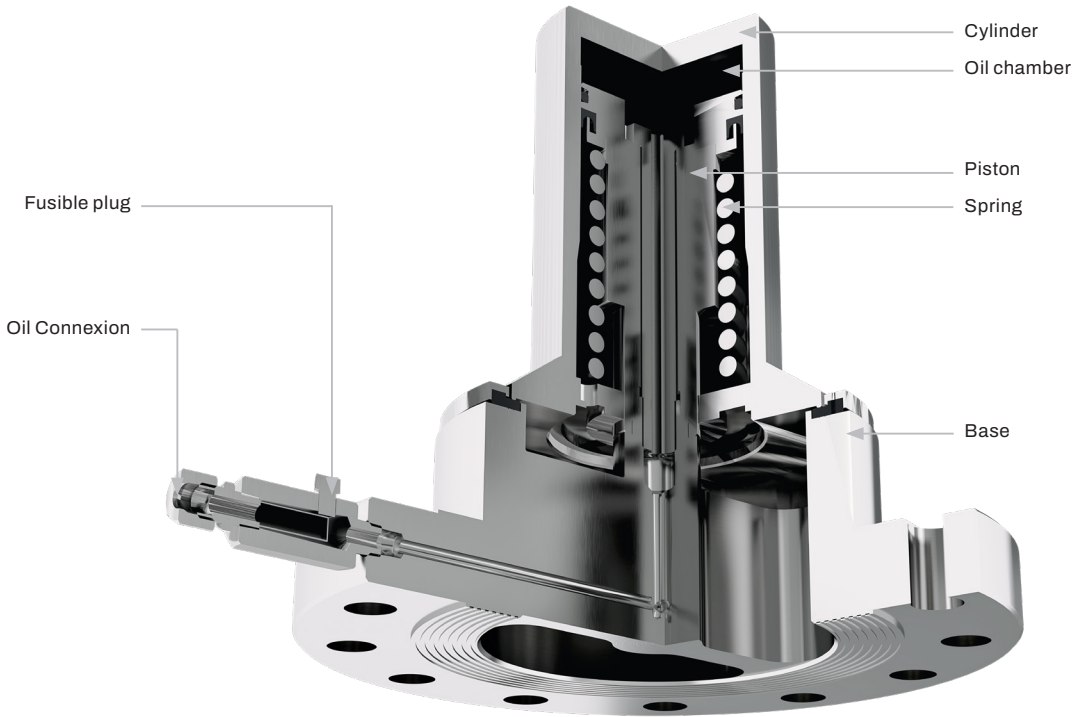
Compatibility:

- LPG: Butane / Propane
- Isobutane
- Isobutene / Isobutylene
- Amonia
- Ethyl chloride
- Ethylene Oxide
- Vinyl Chloride
- Dimethyl Ether
- Liquid Vinyl Chloride
- Methyl Mercaptan

Other compatible medium, on demand.

DESIGN DATA

Flange ANSI 300#	Dimensions / mm					Weight (Lbs / Kg)
Size	A	D	C	B	E	
2"	Ø165	Ø91	37	258	8 x Ø19 x Ø127	20Lbs/9.5 kg
3"	Ø210	Ø110	36	263	8 x Ø22 x Ø168.3	28Lbs/13 kg
4"	Ø254	Ø148	32	280	8 x Ø22 x Ø200	50Lbs/23 kg
6"	Ø318	Ø200	42	298	12 x Ø22 x Ø270	79Lbs/36 kg



Specific flow rates, pressure losses and mechanical resistance are available on request.
TESTING: all our valves are individually tested for pressure resistance at 45bar and sealing full gas tight

INSTALLATIONS OPTIONS

Internal



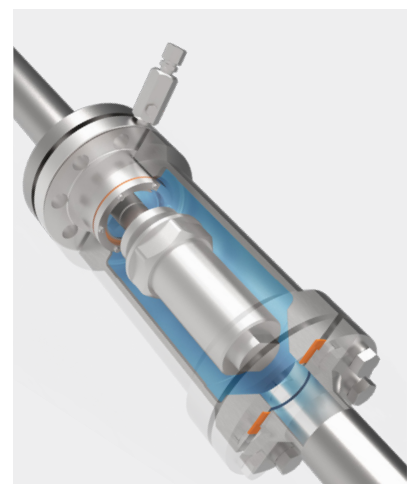
100% inside the tank.

External



Fixed from outside with large part of the valve in the tank.

Inline, in housing



Installed fully outside the tank, mounted on the pipe with a housing.